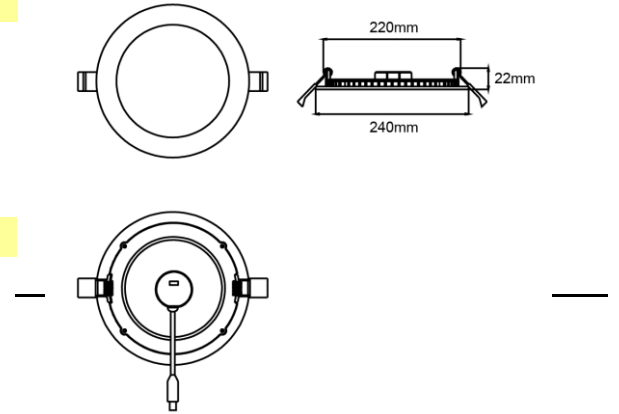


Integrated LED Emergency Downlight

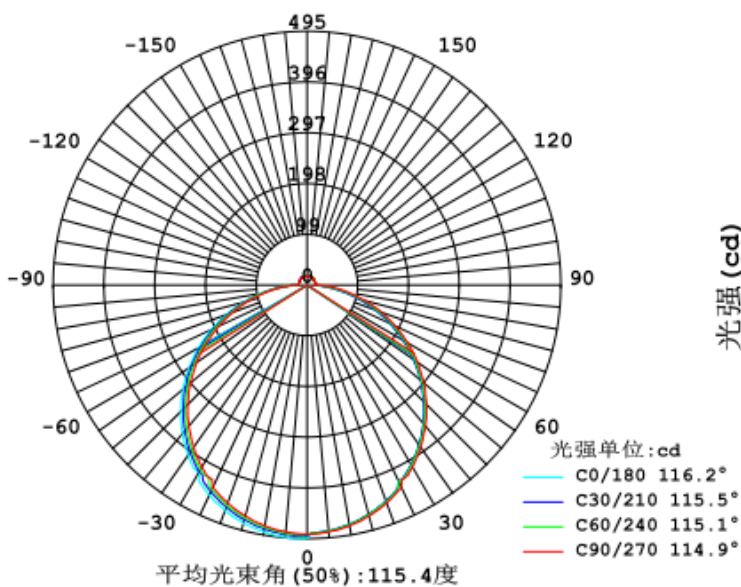
Parameters

| Optical Parameters | |
|-------------------------|---------------------------------------|
| CCT | 3000\4000\6000K |
| Lumen Output(lm)±5% | 1710lm |
| Lumen Efficacy(LPS)±5% | 95lm/W |
| LED Type/Qt'y | SMD 180pcs |
| CRI/SDCM | >80/<6 |
| Electrical Parameters | |
| Rated Power(w)±5% | 18W |
| Rated/Actual Input | 180-240Vac |
| Driver Output Data | 3V 320mA |
| Power Factor/THD/PE | >0.5 |
| Driver/Connection | Integrated |
| Over Load/Short Circuit | Protection |
| Hi-pot Test Range | SELV Isolated driver, 2000Vdc/5mA/60S |
| Life | |
| Warranty | 5years |
| Lumen Maintenance 70% | 50000hrs |
| LM80 | 97.34% lumen maintance@6000hrs |
| Others | |
| IP/IK/Glow-wire | IP44 /IK04/850℃ |
| Temp./Humidity | Working:-20℃~45℃ Storage:<70℃ |

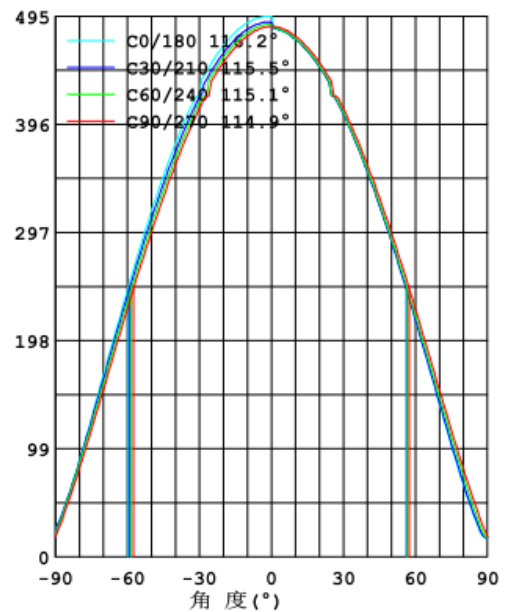
Product Dimension



IK04   IP44



光强分布曲线



Quality LED Lighting