



 **Greenlamp**®  
LED RETROFIT LAMPS

# LED Flood Light

50W/100W/150W/200W

IP65

3000K

# LED Flood Light



3CCT Switch

## PRODUCT FEATURES

- Integrated cooling design, elegant, efficient Streamline design, beautiful appearance, no accumulation
- ADC12# die-casting aluminum case, excellent heat dissipation performance, durable
- Professional outdoor painting, stainless steel components, excellent anti-corrosion and anti-rusting performance, widely used in different environment
- 3CCT Switch

# LED Flood Light

## ICE50WCCT

### Specifications

#### Electrical Data

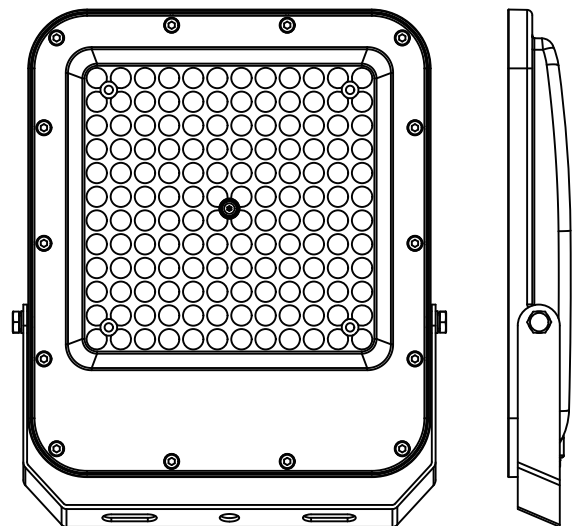
Wattage	50W
Voltage	AC100–265V
LED	SMD2835
Waterproof	IP65

#### Optical Data

Color temperature	2000K/4000K/6000K
Lumen	100Lm/W
Detection angle	90°
RA	>80
PF	>0.9

#### Others

Material	Aluminium Die-casting
Working Temperature	-20°C – 50°C
Size	199x168x29mm
Warranty	3 years



# LED Flood Light

## ICE100WCCT

### Specifications

#### Electrical Data

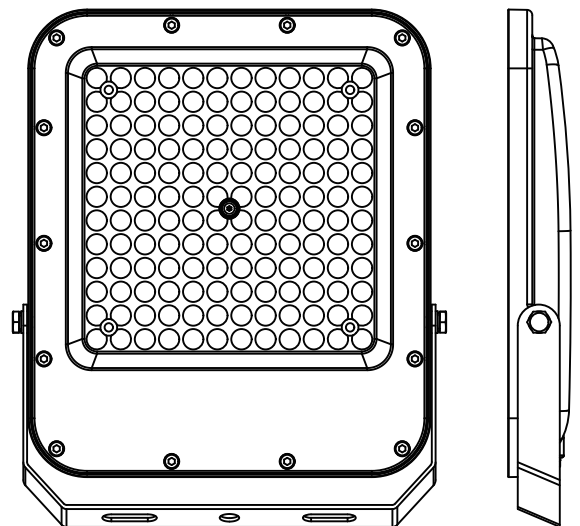
Wattage	100W
Voltage	AC100-265V
LED	SMD2835
Waterproof	IP65

#### Optical Data

Color temperature	2000K/4000K/6000K
Lumen	100Lm/W
Detection angle	90°
RA	>80
PF	>0.9

#### Others

Material	Aluminium Die-casting
Working Temperature	-20°C - 50°C
Size	247*207*30mm
Warranty	3 years



# LED Flood Light

## ICE150WCCT

### Specifications

#### Electrical Data

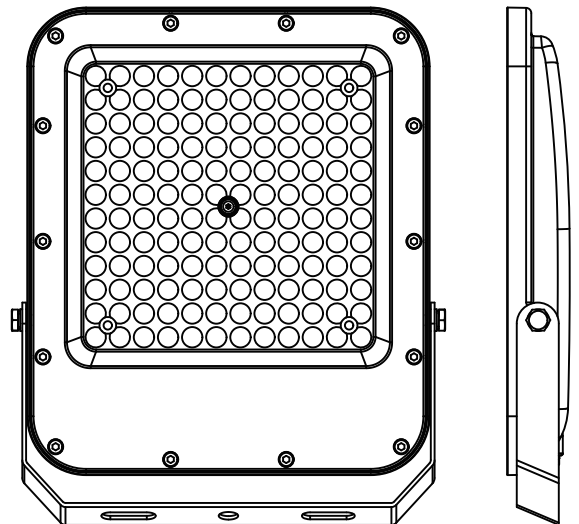
Wattage	150W
Voltage	AC100–265V
LED	SMD2835
Waterproof	IP65

#### Optical Data

Color temperature	2000K/4000K/6000K
Lumen	100Lm/W
Detection angle	90°
RA	>80
PF	>0.9

#### Others

Material	Aluminium Die-casting
Working Temperature	-20°C – 50°C
Size	289*239*32mm
Warranty	3 years



# LED Flood Light

## ICE200WCCT

### Specifications

#### Electrical Data

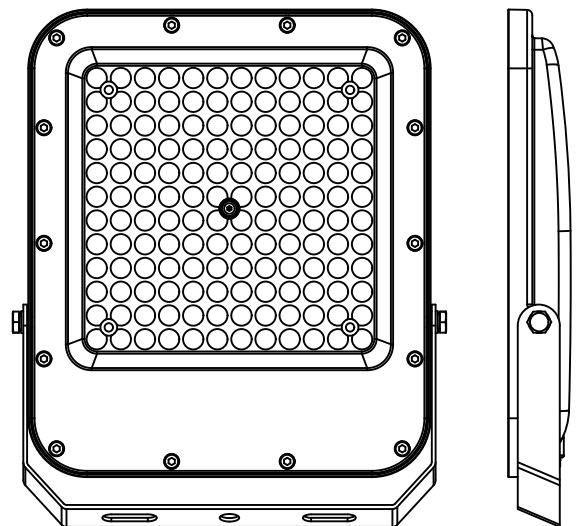
Wattage	200W
Voltage	AC100-265V
LED	SMD2835
Waterproof	IP65

#### Optical Data

Color temperature	2000K/4000K/6000K
Lumen	100Lm/W
Detection angle	90°
RA	>80
PF	>0.9

#### Others

Material	Aluminium Die-casting
Working Temperature	-20°C - 50°C
Size	327*275*33mm
Warranty	3 years



# LED Flood Light

## Warning

- It should be installed by a professional electrician technician to install the product, inspection, maintenance and rack-mounted.
- Before installing fixtures, make sure the power is turned off during the installation process.
- Make sure the circuit voltage is in the lamp operation voltage allowable range.
- If the external flexible cable or cord of the luminaire is damaged, it should only be replaced by the qualified person.
- Lamp should work under the predetermined working temperature.

## Warranty

3 years warranty for original purchaser of LED product that is identified on seller's invoice reflecting its original purchase (the "Product")

- The following circumstances will not be warranted:
- Damage caused by force majeure such as war, riots, sabotage, cyclones, earthquakes, tidal waves, flooding, fire, lightning strikes etc.
- Damage caused by user's improper delivery, defects caused by wrong operation, wrong treatment and destruction of machinery.
- Damage caused by buyer or installer using bad quality cable or other mismatching electronic parts.
- With the quality problem during warranty time, our company will choose to repair / replacement parts, or replace the product, or other methods to solve them. Beyond the warranty time, will take some materials costs, labor costs.