



## LED CEILING LIGHT

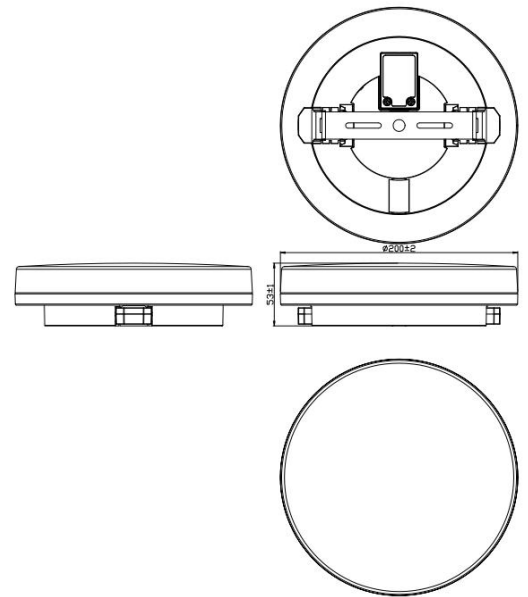
### Parameters

#### Optical Parameters

CCT	3000K+ 4200K+ 6500K
Lumen Output(lm)±5%	2000lm
Lumen Efficacy(LPS)±5%	100lm/w
LED Type/Qt'y	SMD 180PCS
CRI/SDCM	>80/<6

#### Electrical Parameters

Rated Power(w)±5%	20W
Rated/Actual Input	220-240Vac
Driver Output Data	145mA
Power Factor/THD/PE	>0.5
Driver/Connection	Integrated
Over Load/Short Circuit	Protection
Hi-pot Test Range	Non-Isolated driver, 3000Vdc/5mA/60S



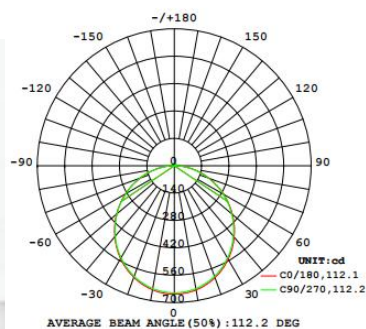
#### Life

Warranty	2 years
Lumen Maintenance 70%	25000hrs
LM70	96% lumen maintenance@6000hrs

#### Others

IP/IK/Glow-wire	IP54/IK06 650°C
Temp./Humidity	Working:-20°C~45°C Storage:<70°C

### Product Dimension: 200\*53mm



Flux out:1344 lm

Height	Evgy,Emax	Angle:111.46deg	Diameter
1m	194.6,657.01x		293.54cm
2m	48.65,164.21x		587.08cm
3m	21.62,73.001x		880.62cm
4m	12.16,41.061x		1174.16cm
5m	7.783,26.281x		1467.70cm
6m	5.405,18.251x		1761.24cm
7m	3.971,13.411x		2054.78cm
8m	3.040,10.261x		2348.32cm
9m	2.402,8.1111x		2641.86cm
10m	1.946,6.5701x		2935.40cm

Note: The Curves indicate the illuminated area and the average illumination when the luminaire is at different distance.