



VOLTRON

# 4 Inch 220V Exhaust Fan Standard

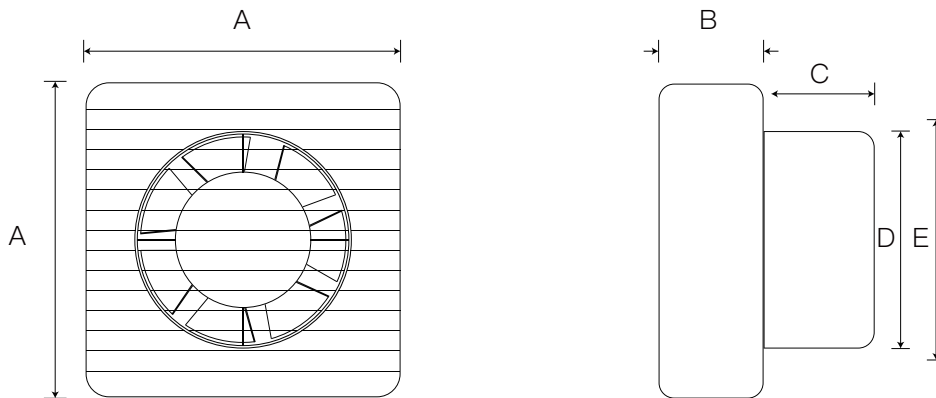
# 4 Inch 220V Exhaust Fan Standard



## Performance

MODEL	VOLTAGE	SPEED	AIR-FLOW	POWER	SIZE	Material
FAN4	220-240V~ 50HZ	1800	3250	20W	154*154*97	PC

## Dimensions (mm)



A	B	C	D	E
154	40	57	Φ92.51	Φ99.6

## Warning

1. Switch off mains supply before commencing installation.
2. This unit is double insulated and does not require an earth connection.
3. Never try to change internal wiring during installation or maintenance
4. This unit should not be fitted directly inside a shower cubicle.

# 4 Inch 220V Exhaust Fan Standard

## Installation

1. Select a suitable location in the wall or ceiling
2. Cut correct size hole, ensure hole exerts no pressure on the blade housing.
3. Remove fan fascia and remove knock-outs as required.
4. Connect mains supply as indicated on the terminals.
5. If using ducting, fix at once. Be carefully not to over tighten, check blades move free of obstruction.
6. Temporarily offer fan to cut out and mark ceiling or wall for fixing points with pencil or tip pen.
7. Remove fan and fix cavity fitting supplied
8. Re-fit fan and screw home with screws supplied
9. Replace cover and re connect main supply.

## Warranty

2 years warranty for original purchaser of LED product that is identified on seller's invoice reflecting its original purchase(the "Product")

### **The following circumstances will not be warranted:**

1. Damage caused by force majeure such as war, riots, sabotage, cyclones, earthquakes, tidal waves, floodlight, fire, lightning strikes etc.
2. Damage caused by user's improper delivery, defects caused by wrong operation, wrong treatment and destruction of machinery.
3. Damage caused by buyer or installer using bad quality cable or other mismatching electronic parts.
4. With the quality problem during warranty time, our company will choose to repair / replacement parts, or replace the products, or other methods to solve them. Beyond the warranty will take some materials costs, labor costs.